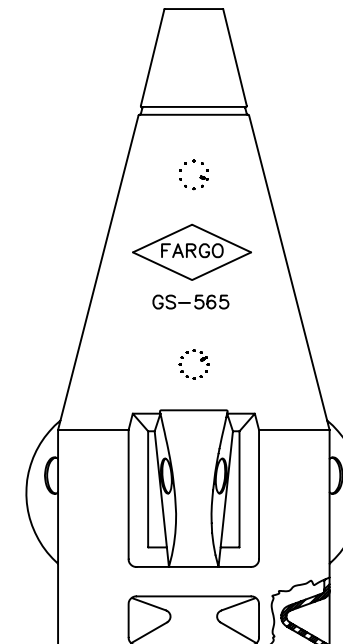


NOTES:

1. THIS WILDLIFE PROTECTOR IS DESIGNED TO PROVIDE PROTECTION FOR EQUIPMENT FROM ACCIDENTAL CONTACT BY SQUIRRELS, BIRDS, OR OTHER WILDLIFE.
2. THE ONE PIECE SLOT DESIGN SNAP JOINT MAKES FOR EASY INSTALLATION OR RETROFIT ON A VARIETY OF BUSHING INSULATORS. EQUIPMENT TAP WIRE DOES NOT HAVE TO BE DISCONNECTED DURING INSTALLATION.
3. PART IS MADE OF POLYETHYLENE WITH UV INHIBITORS AND IS MUNSELL GRAY.
4. ALL DIMENSIONS IN INCHES.



47794	10-23-2012	JA	JA	FARGO TOLERANCE CHART .XX = ±.03 .XXX = ±.015 ANGLE = ±1°	HUBBELL POWER SYSTEMS
EC #	DATE	CHG BY	RESP ENG		
DESC OF DWG: - NEW CUSTOMER DWG. --- --- REASON (S) FOR CHANGE: -- DISPOSITION OF MAT'L: --				CONFIDENTIAL: THIS DRAWING AND ITS CONTENTS ARE CONFIDENTIAL AND THE EXCLUSIVE PROPERTY OF HUBBELL POWER SYSTEMS. NO PUBLICATION, DISTRIBUTION OR COPIES MAY BE MADE WITHOUT THE WRITTEN CONSENT OF HUBBELL POWER SYSTEMS. HUBBELL POWER SYSTEMS UNPUBLISHED ALL RIGHTS RESERVED UNDER THE COPYRIGHT LAWS.	TITLE GS-565 WILDLIFE PROTECTOR
SIZE	DWG NO.	CAT / PART / ASSY NO.			REV
B	CC-20800	GS-565		00	
DO NOT SCALE THIS DRAWING		DRN BY JA	DATE 10-23-12	SHEET 1 OF 1	